



energybank. model T[®] MMT300 Exterior LED

DESCRIPTION

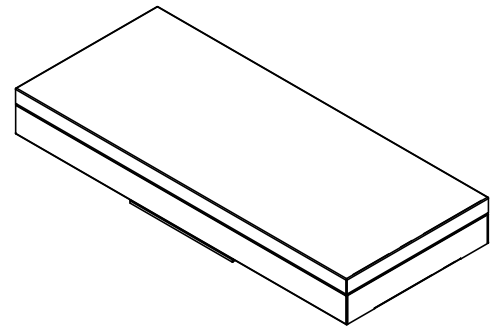
Reduce wattage up to 80%. A single model T MMT300 using 300W can replace two traditional 1000W metal halide fixtures that use more than 2180W. MMT300 light engines are designed to deliver exceptional, high-lumen output with precise, proprietary optics for your specific application. MMT300 is a low-profile fixture that features a sleek, contemporary compact form factor with minimal EPA wind load factor. Constructed of aluminum with a durable, automotive quality exterior finish. Bronze, Black, Gray and White are standard. Custom powder coat colors and finishes are available. Logo options available to further enhance your branding. Patent-pending Forced Vector Cooling[®] provides thermal protection for components for significantly longer life with superior lumen maintenance and light output.



MMT300
model T 300W
(2180W HID equivalent)

SPECIFICATIONS

Lumens:	16,587	25,221	35,175
Wattage:	150	200	300
Weight:	47 lbs.		
Dimensions:	L 64.126" x W 18.125" x H 8.513"		
EPA:	1.81 ft ² Flat Base, 2.05 ft ² V-Base		
Listed/Rated:	ETL		
DLC Model #	MMT150-UNFD-HMXX, MMT150-48FD-HMXX	MMT200-UNCD-HMXX, MMT200-48CD-HMXX, MMT200-UNFD-HMXX, MMT200-48FD-HMXX	MMT300-UNCD-HMXX, MMT300-48CD-HMXX, MMT300-UNFD-HMXX, MMT300-48FD-HMXX
Color Temp: 5000K			
CRI: >83			
Line Voltage: Universal 120-277V. 480V option.			
Power Supply: Hardwire standard			
Surge Protection: Primary external 10kA surge protection. Secondary integrated 6kV transient voltage protection.			
Ambient Operating Temperature: -30° to 50° C / -22° to 122° F			
Environment: Wet rated			
Lens: Glass lens, Type III (FD) forward-throw or Type V (CD) bi-directional. (150W available in FD only)			
Mount: Pinnacle™ universal mounting system, V-Base, Flat Plate, Tenon			
Warranty: 5-year Standard Limited			
Manufacturer: Genesis Energy Technology			



Designed & Built in USA



model T[®] MMT300 Exterior LED

ORDERING INFORMATION

EXAMPLE: **MMT300-UNFD-HMBZ-NNN-NF** Lead times and costs may vary depending on options selected. Consult your sales representative for more information. Standard configuration highlighted in Gray.

MMT				HM					
Model	Wattage	Voltage	Optics	Reflector	Fixture Color	Motion Sensor	Customization	Mounting	
MMT: model T	300: 300W	UN: 120-277V	FD: Forward Throw	HM: Hammertone	BL: Black	NNN: No Sensor	N: None	F: Pinnacle Flat Plate	
	200: 200W	48: 480V	CD: Bi-Directional		WH: White	MNN: Wattstopper <i>FSP-211 (120-277V)</i> <i>FSP-221B (480V)</i>	L: Logo	A: Tenon Flat Plate	
	150: 150W ¹				BZ: Bronze			P: Pinnacle V-Base ²	
					GR: Gray			T: Tenon V-Base ²	

Specifications subject to change without notice.

¹ Type III Forward Throw optics only

² For use with non-MNN sensors, security systems, cameras or other optional accessories.

Standard colors

Durable, automotive quality finish in:



Black



White



Bronze



Gray

Custom logo and custom model T colors

Place your company logo on the model T to further enhance your brand.

Submit logo in .AI or .EPS format for best results.

Custom colors are available for the model T. Contact you sales representative for more details.

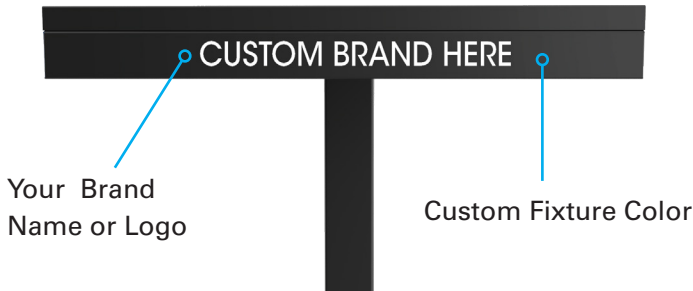
Mounting Options

Flat Plate Pinnacle Mounting: fits on any square, round or tapered 4" - 6" pole. Standard.

Flat Plate with Tenon: fits existing 2.375" tenon.

V-base Pinnacle Mounting: option accommodates addition of accessories and controls including Doppler or microwave on any square, round or tapered 4" - 6" pole.

V-base with Tenon: option accommodates addition of accessories and controls including Doppler or microwave on existing 2.375" tenon.



energybank.

www.FacilityLEDLighting.com | 920-876-4020

manufactured by Genesis Energy Technology © 2017 SPEC MMT300 EB 20170928