



Neu-Tech Energy Solutions LED Retrofit Lighting Specialist

LED Retrofit kits (4th generation)

SNC-RKPUS-120WD2



CREDENTIALS



Due to our continued efforts to improve our products, product specifications are subject to change without notice.

www.FacilityLEDLighting.com | 920-876-4020

DESCRIPTION

- The LED retrofit 120W Kit was designed to replace most 400+W MH/HPS bulbs in any housing or fixtures. Existing fixtures can be reused, Total cost is significantly reduced compared with using new complete LED fixtures
- Key Applications: street light fixtures, high bay fixtures, shoebox fixtures, wall pack fixtures, canopy fixtures, etc.
- Patents on retrofit kits.
- Clients include: Google, Lutron, Fort Leavenworth, EPA, US Coast Guard, Sysco, Frito Lay, Verizon, Marriott Hotels and thousands more.

COMPLIANCE

- "DLC " qualified, top quality
- UL/cUL listed
- UL-Subject-1598C and CSA TIL B-79A
- LM79 / LM80 / IES available

PROTECTIONS

- Advanced Automatic Thermal Control: When over 90°C, light will switch to lower output for protection, recovers after temperature lower than 90°C
- Over Current: Constant current limiting, recovers automatically after fault condition is removed
- Short Circuit: Hiccup mode, recovers automatically after fault condition is removed
- Over Voltage: Shut down and latch off o/p voltage, re-power on to recover
- Over Temperature: Shut down o/p voltage, recovers automatically after temperature goes down

FEATURES

- Latest Lumileds technology, achieving 130LM/W~135LM/W
- Superior illumination performance
- Quick and easy installation
- UL/cUL listed Mean Well driver to ensure reliability and performance
- Reduces energy consumption up to 85%
- Superior heat dissipation
- Light weight, less burden, more durable for mounting
- Dimming ability: available

**This product, or selected versions of this product, meets the standards listed below. Please consult factory for your specific requirements.*



Neu-Tech Energy Solutions

LED Retrofit Lighting Specialist

LED Retrofit kits (4th generation)

SPECIFICATIONS

Items	Details
Model No.	SNC-RKPUS-120WD2
Input Power	120 W
Input Voltage	100~277 Vac 50-60 Hz 1.2A
Luminous Flux	16,200 LM (15,600 LM in fixtures)
Efficiency	135 LM/W @ 5700K
LED Source	Latest Lumileds Technology
Color Temp.:	4000K /4500K /5000K (STD) /5700K
Light Color	Nature White / Pure White / Cool White
CRI	≥80
View Angle	120°
Dimming	Available
Driver	UL/CUL listed Mean Well driver
Power Factor	>0.99
THD	<10%

Fixture Material	Cold-forging Aviation heatsink
Fan Equipped	Sunon brand
Operating Temp	- 20°C to 55°C
Storage Temp	- 40°C to 80°C
Replacement	4,00W MH/HPS
Energy saving	70% ~ 80%
Package	11.4*9.8*5.1inch
Net Weight	2.4 KG (5.2 LB)
Mounting Bracket	Adjustable bracket
Lifespan	60,000 hours (L70)
Testing Reports	LM79, LM80, IES available
Warranty	6 years on Heads and Drivers
Certifications	UL/cUL, DLC, CE & RoHS
Security	Approved
DLC Items	SNC-RKPUS-120WD2



Due to our continued efforts to improve our products, product specifications are subject to change without notice.



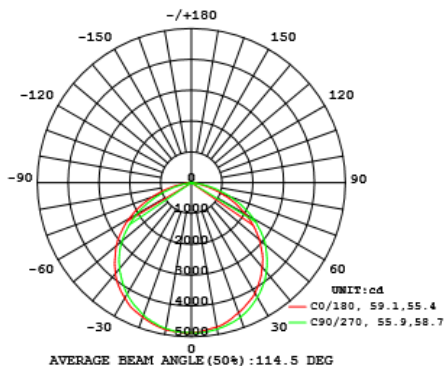
Neu-Tech Energy Solutions

LED Retrofit Lighting Specialist

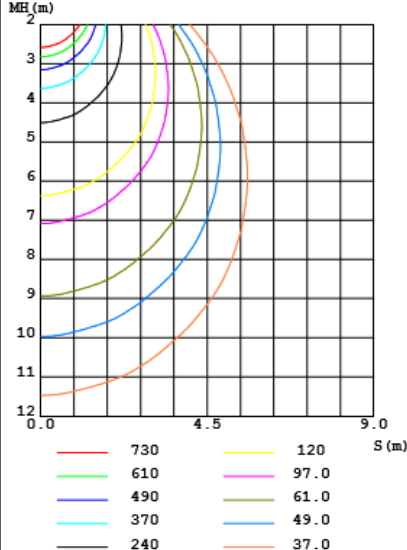
LED Retrofit kits(4th generation)

PHOTOMETRIC DATA

LUMINOUS INTENSITY DISTRIBUTION DIAGRAM



CO PLANE ISOLUX DIAGRAM (UNIT:lx)



*All published luminaire photometric testing performs to IESNA LM-79-08 standards by a NVLAP accredited laboratory.

*If need LM79 Test Report, LM80 Test Report, Luminaire photometric Test Report and IES files etc., please contact the manufacturer.





Neu-Tech Energy Solutions

LED Retrofit Lighting Specialist

LED Retrofit kits(4th generation)

CHARACTERISTICS

Best driver for a 120W LED fixture with temperature sensor protection system.



135lm/w, most cost effective LEDs on market.



60,000 working hours warranty.



More LEDs, fully mounted on PCB, maximize cooling coverage. 60,000 working hours warranty.



Arc shape heat sink coordinating with the fans, air flow moving speed doubles.

Aviation aluminum, light but with best heat dissipation ability.





Neu-Tech Energy Solutions

LED Retrofit Lighting Specialist

INSTALLATION

Vertical bracket ,Horizontal bracket, and customized mounting plate available.

Vertical bracket	Horizontal Bracket	Customized Mounting Plate
Suitable for highbay fixtures	Suitable for most fixtures	Customized for special fixtures

SAFETY INFORMATION

WARNING: ONLY QUALIFIED PERSONNEL SHOULD PERFORM INSTALLATION. TO AVOID ELECTRICAL SHOCK OR COMPONENT DAMAGE, DISCONNECT POWER BEFORE ATTEMPTING INSTALLATION OF THE FIXTURES

PRIOR TO INSTALLATION

Before installing fixtures, read and understand all cautions, warnings, instructions, and product labels. Failure to do so could result in injury and/or void the warranty.

MAINTENANCE

The unit is designed for years with minimum care. For optimum performance, periodically clean the lamps body and fan with a mild, non- abrasive glass cleaner and soft cloth. Do NOT use solvents or cleaners containing abrasive agents. When cleaning the fixture, make sure you have the power turned off and do not spray liquid cleaner directly onto the LED, socket, or wiring.0





Neu-Tech Energy Solutions

LED Retrofit Lighting Specialist

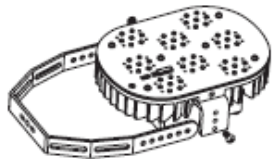


Figure 1

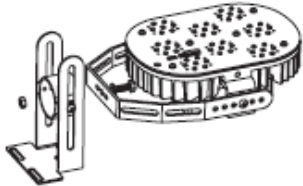


Figure 2

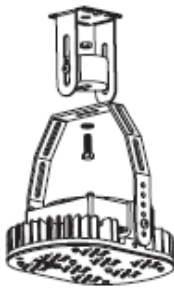


Figure 2-1

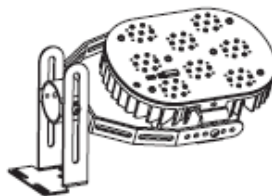


Figure 3

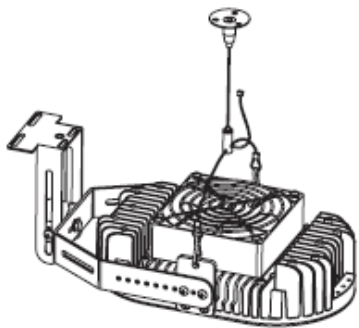


Figure 4

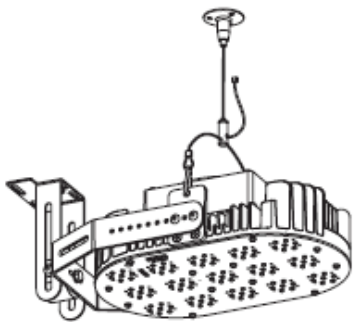


Figure 4-1

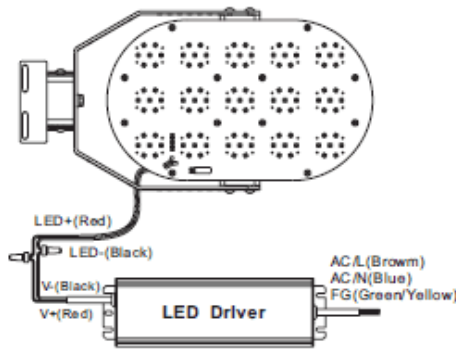


Figure 5

Vertical Installation1: Figure2-1

Horizontal Installation2: Figure4-1

More customize installation available.

