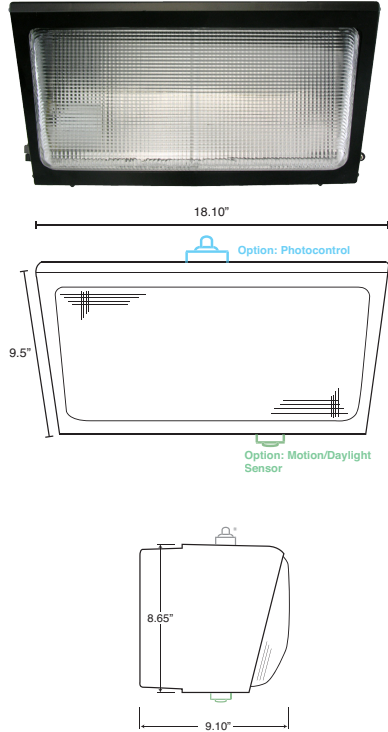


# LED WALLMAX LARGE WALL PACK

## WPL SERIES



### FEATURES:

- Replaces up to 400-Watt Metal Halide
- Up to 145,000-hour L70 lifetime, TM-21 standards @ 25°C
- Heavy-duty cast aluminum housing is polyester
- Powder coated to be rust and corrosion proof
- High-quality shatter-resistant glass
- Sealed fixture is dirt and bug free
- Top, bottom, and side knockouts for mounting convenience
- Available with Dusk to Dawn sensor
- 0-10V dimming driver standard; occupancy sensor compatible
- LM-79/80 data available
- 5-Year Warranty

### CONTROLS:

**120VAC/208-277VAC Photocontrol:** Voltage-specific photocontrols power the fixture when light levels reach 20 lux or below, and turn it off at 30 lux or higher. The operating temperature of the photocontrols are -30°F-120°F. Photocell mounted externally.

**Motion/Daylight Sensor:** 0-10V passive infrared-based motion sensor with integral photocontrol, allowing for two output states: 100% or 10/20/30/40/50% output. Detection area, hold time, daylight threshold, and dimming level can be adjusted via the accessible push-button. The operating temperature of the sensor is -40°F- 161°F. At its maximum mounting height of 20 feet, the sensor can detect motion up to 35 feet away. The sensor is mounted externally and, embedded within fixture backhousing. For 24-hour operation where luminaire is always powered on, please combine MS4 with PC12/PC27 to turn fixture off during daylight hours.

### PHOTOMETRICS:

All .IES files available online. Please see page 3 for Iso-footcandle layouts.

### PRODUCT DESCRIPTION:

MaxLite's standard WallMax™ LED Wall Packs with new optics increase light output and efficacy to reduce shadows and create safe, brightly-lit outdoor environments in parking garages and entrances, public areas, schools, hospitals, hotels and outdoor walkways nationwide. These 40-, 55-, and 80-watt LED fixtures are energy-efficient replacements for 175-, 250-, and 400-watt metal halide fixtures respectively. The fixtures are rebatable, save energy, lower maintenance costs, and prevent light pollution.

MODEL SELECTION (Full list of order codes on pg. 2)				Typical order example: WPL40AH50W		
WPL				50		
FAMILY	NOMINAL POWER, EQUIVALENCY	GENERATION	VOLTAGE	CCT	FINISH	CONTROLS
WPL= Large Wall Pack	40= 40W, 175W MH equivalent 55= 55W, 250W MH equivalent 80= 80W, 400W MH equivalent	A= Generation A	U= 120-277V, std. H= 347-480V	50= 5000K	B= Bronze W= White	(OMIT)= None PC12= 120V Integral Photocontrol PC27= 277V Integral Photocontrol MS4= Daylight/MotionSensor (Hi/Low) IBB= Internal Battery Backup SS= 10 kA Surge Suppressor

ACCESSORIES			
ORDER CODE	MODEL NUMBER	DESCRIPTION	ACCESSORIES IMAGE
71330	MLLWPWG	Large Wall Pack Guard (Black)	

### NOTES:

1. In the event of a power failure, the battery backup units switch to emergency mode (700 lumen output) and operates the fixture for a minimum of 90 minutes.
2. 80W model currently unavailable with MS4, IBB, and SS controls.
3. High Voltage not available for the 80W option.

**SPECIFICATIONS:**

ITEM	SPECIFICATION	WPL40AU50B	WPL55AU50B	WPL80AU50B
		40WATTS - DETAILS	55 WATTS - DETAILS	80 WATTS - DETAILS
<b>GENERAL PERFORMANCE</b>	Input Power (W)	38	53	77
	Lumens Delivered (lm)	3480	4775	8600
	Efficacy (lm/W)	91	90	111
	CRI	≥80		
	Lumen Maintenance (L70, TM-21 @ 25°C)	≥145,000		≥100,000
	Color Temperature	5000K		
	Spacing Criteria	Available Upon Request		
	Color Consistency	Proprietary binning for uniform color		
<b>ELECTRICAL</b>	Power Factor (120V/277V)	0.99/0.92	0.99/0.94	0.99/0.91
	Input Voltage	120-277V standard; 347-480V step down transformer available		
<b>PHYSICAL</b>	Housing	Aluminum		
	Lens	High quality shatterproof glass		
	Mounting	Fits electrical box or mount directly		
<b>CERTIFICATION</b>	Material Usage	RoHS compliant; no mercury		
	Environment	Outdoor, Wet location		
	Certification	LM-79, LM-80, TM-21, cULus, DLC		
	Warranty	5 years		
	Operating Temperature	-30°F - 122°F/32°F - 104°F (IBB Models)		
	Humidity	5%-95% RH, non condensing		

Lighting layouts and spacing criteria available upon request

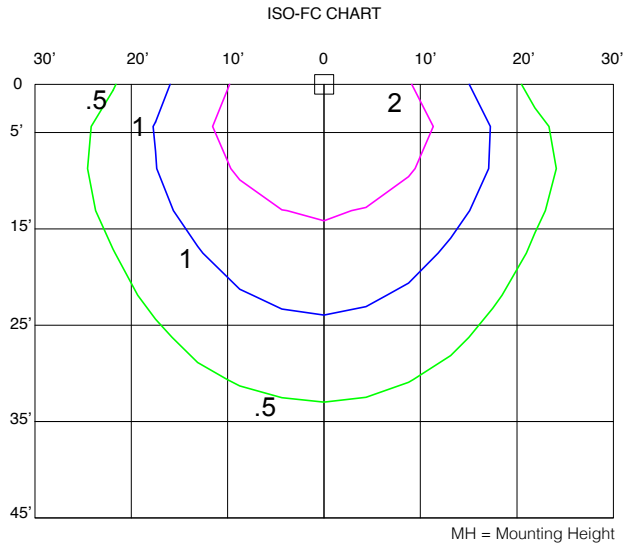
**ORDERING\*:**

ORDER CODE	MODEL	CONTROLS	FINISH	VOLTAGE	WATTAGE	CCT	
95268	WPL40AH50B	None	BRONZE	347-480V	40	5000K	
95258	WPL40AU50B	None	BRONZE	120-277V			
95257	WPL40AU50BIBB	Internal Battery Backup	BRONZE	120-277V			
95256	WPL40AU50BMS4	Motion/Daylight Sensor	BRONZE	120-277V			
95254	WPL40AU50BPC12	120V Button Photocontrol	BRONZE	120-277V			
95255	WPL40AU50BPC27	277V Button Photocontrol	BRONZE	120-277V			
95263	WPL40AU50W	None	WHITE	120-277V			
95288	WPL55AH50B	None	BRONZE	347-480V	55		
95293	WPL55AH50W	Motion/Daylight Sensor	WHITE	347-480V			
95278	WPL55AU50B	None	BRONZE	120-277V			
95277	WPL55AU50BIBB	Internal Battery Backup	BRONZE	120-277V			
95276	WPL55AU50BMS4	Motion/Daylight Sensor	BRONZE	120-277V			
95274	WPL55AU50BPC12	120V Button Photocontrol	BRONZE	120-277V			
95275	WPL55AU50BPC27	277V Button Photocontrol	BRONZE	120-277V			
95283	WPL55AU50W	None	WHITE	120-277V			
91498	WPL80AU50B	None	BRONZE	120-277V			80

\*Please contact your MaxLite representative to order products that don't have order codes listed here.

**PHOTOMETRICS:**

**WPL40AU50B**

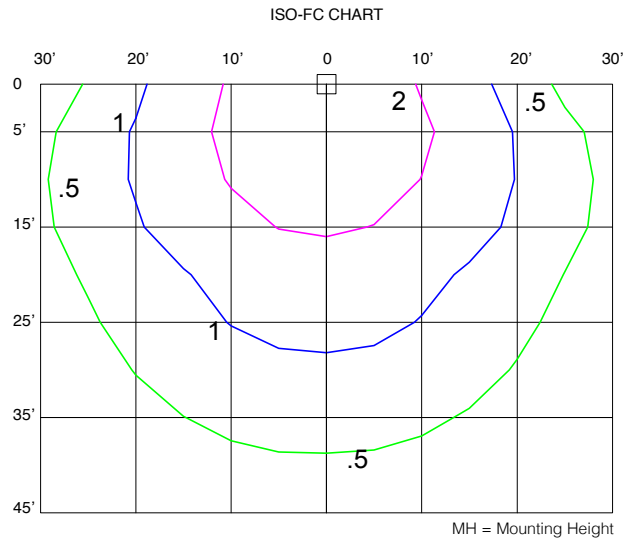


**LB-WPL40AU50B-USD**  
**3480 Lumens**  
**20' Mounting Height**

Foot-candle Correction Factor:

New Height:	18'	20'	22'	25'	30'
Multiply by:	1.23	1.00	0.83	0.64	0.44

**WPL55AU50B**



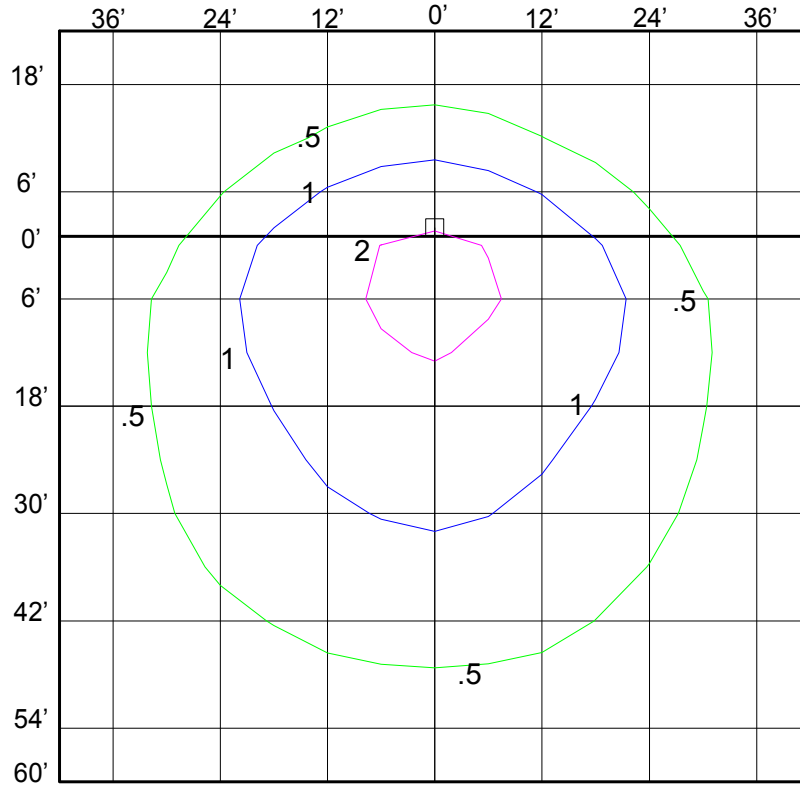
**WPL55AU50B**  
**4777 Lumens**  
**25' Mounting Height**

Foot-candle Correction Factor:

New Height:	18'	20'	22'	25'	30'
Multiply by:	1.93	1.56	1.29	1.00	0.69

**WPL80AU50B**

ISO-FC CHART



**LB-WPL80AU50B-USD**  
**8600 Lumens**  
**30' Mounting Height**

Foot-candle Correction Factor:

New Height:	20'	25'	30'	35'	40'
Multiply by:	2.25	1.44	1.00	0.73	0.56