

LED STRIP RETROFIT KIT
RS SERIES



PRODUCT DESCRIPTION:

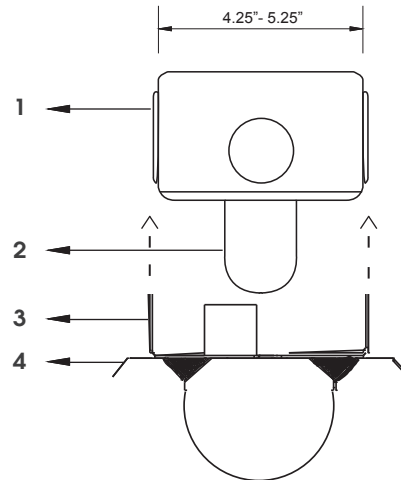
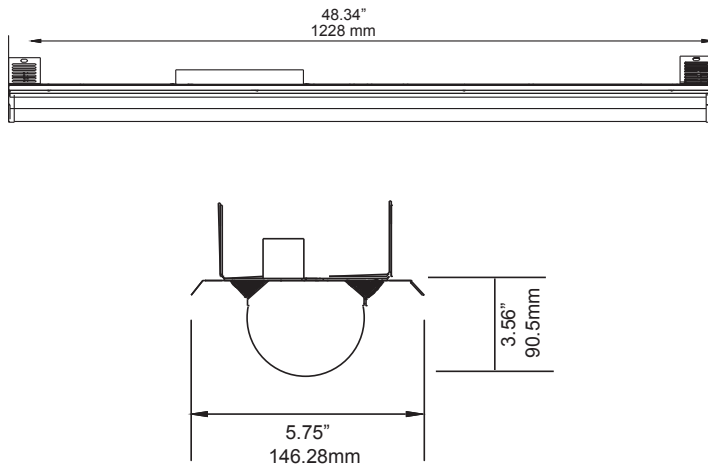
Retrofits existing 4' and 8' fluorescent strips and Industrial fixtures to LED in as little as one minute. Industry's fastest LED strip retrofit kit. The universal design fits most 4.25" and 5.25" T8/T12 fluorescent wide strips.

FEATURES:

- 2 of the 4' units combine with a simple bracket provided to make 8' units to retrofit 8' T8 fluorescent fixtures.
- Driver operates with steady performance and long lifetime
- Driver efficiency >85%.
- CRI >80
- L70 lumen maintenance of 50,000 hours
- 5 year limited warranty
- 0-10v dimming standard, product dimmable down to 10%
- Universal 120-277V
- Suitable for Damp locations

MOUNTING DIMENSIONS:

PRODUCT DIMENSIONS:



NOTES:

1. Existing housing (not provided)
2. Existing sockets to be removed
3. Adjustable brackets for the retrofit kit. Fits over existing pan
4. Lensed retrofit snaps in place

MODEL SELECTION (Full list of order codes on pg. 2)		Typical order example: RS-4824U-50		
FAMILY	SIZE	WATTAGE (NOMINAL)	VOLTAGE	CCT
RS= Retrofit Strip	48= 4ft	24= 24W 36= 36W	U= 120-277V	40= 4000K 50= 5000K

NOTES:

1. For other CCT's contact MaxLite

SPECIFICATIONS:

		RS-4824U-50	RS-4836U-40	RS-4836U-50
ITEM	SPECIFICATION	DETAILS		
GENERAL PERFORMANCE	Power Consumption (W)	22.2	33.3	32.1
	Lumens Delivered (lm)	2,650	4,030	4,030
	Efficacy (lm/W)	119	121	125
	CRI	≥80		
	Color Temperature (K)	5000K	4000K	5000K
	L70 Lifetime (hours)	50,000		
	Color Consistency	Proprietary binning for uniform color		
ELECTRICAL	Power Factor	0.9		
	Input Voltage	120-277V		
	Dimming	0-10V		
PHYSICAL	Mounting	Retrofits into current linear fixtures		
	Operating Temperature	-20°C to 40°C		
	Humidity	20-85% RH, non-condensing		
QUALIFICATION	Qualifications	cULus, FCC, DLC 4.1 Standard, Lighting Facts		
	Material Usage	RoHS compliant; no mercury		
	Environment	Indoor/Damp		
	Warranty	5 Years		

ORDERING*:

ORDER CODE	MODEL	WATTAGE	CCT
102378	RS-4824U-50	24W	5000K
1408928	RS-4836U-40	36W	4000K
102379	RS-4836U-50	36W	5000K

*Please contact your MaxLite representative to order products that don't have order codes listed here.