

**BARN PRISMATIC**  
BP Series



**PRODUCT DESCRIPTION:**

The LED Barn Light with prismatic lens replicate the form and function of 150 watt high-pressure sodium or 175-watt metal halide fixtures, while using just 35 and 45 watts, respectively. At an exceptional efficacy of 119 lm/W (45W) and 100,000-hour L70 lifetime, the fixtures are an easy replacement for the lights. The Barn Light operates at 120-277 volts, and can mount to walls or sealed junction boxes. It is ideal for outdoor lighting applications in areas that require a wide distribution of light including driveways, yards, properties and work areas.

**FEATURES:**

- Includes black 3-pin photocontrol and mounting arm
- Replaces up to 175W MH
- Rated for ≥100,000-hour TM-21 L70 Lifetime @ 25°C
- Universal 120-277V power supply
- 5 year warranty

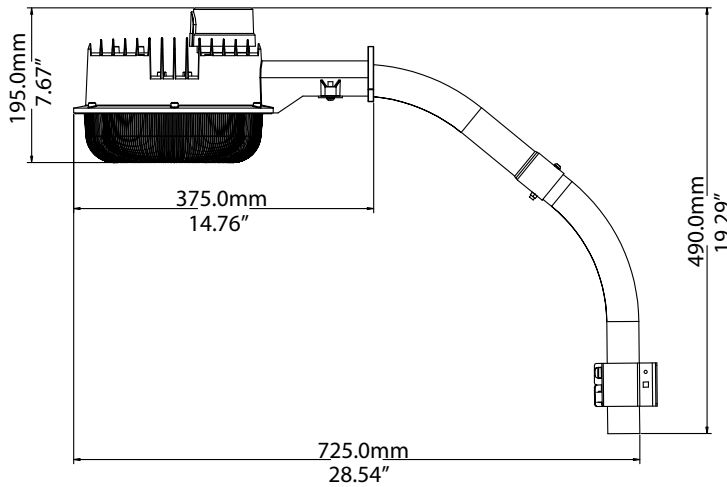
**CONSTRUCTION:**

- Prismatic lens
- 24" aluminum arm
- Die-cast aluminum housing

**CONTROLS:**

- Standard Black 3-pin photocontrol, black

**DIMENSIONS:**



MODEL SELECTION (Full list of order codes on pg. 3)		Typical order example: BP45AUT550BPM0							
BP		A	U	T5	50	B	P	M	0
FAMILY	NOMINAL WATTAGE, EQUIVALENCY	GENERATION	VOLTAGE	DISTRIBUTION	CCT*	FINISH	CONTROLS	MOUNTING	OPTIONS
BP= Barn Prismatic	35= 35W, 150W HPS equivalent 45= 45W, 175W MH/MV	A= Generation A	U= 120-277V, std	T5= Type V	50= 5000K	B= Bronze	P= 3-pin Photocontrol, std	M= 24" Mounting Arm, std	0= None

**SPECIFICATIONS:**

		BP35AUT550BPM0	BP45AUT550BPM0
ITEM	SPECIFICATION	DETAILS	
<b>GENERAL PERFORMANCE</b>	Distribution	Type V	
	Beam Angle	55°	55°
	Input Power (W)	34	45
	Lumens Delivered (lm)	3,325	5,280
	Equivalency	150W HPS	175W MH/MV
	Efficacy (lm/W)	97	119
	CRI	≥77	
	Lumen Maintenance (L70, TM-21 @ 25°C)	≥100,000	
	Color Temperature	5000K	
<b>ELECTRICAL</b>	Input Voltage	120-277V Standard	
	Power Factor (277V)	≥0.9	
<b>PHYSICAL</b>	Housing	Aluminum	
	Lens	Prismatic Lens	
	Finish	Bronze	
	Mounting	24" aluminum arm, standard	
	Weight	7.8 lbs	
	Controls	Black 3-pin control standard	
<b>QUALIFICATIONS</b>	Qualifications	cULus, LM-80, TM-21, LM-79, IP65, DLC	
	Environment	Outdoor, wet location	
	Warranty	5 years	

**ORDERING:**

ORDER CODE	MODEL NUMBER	NOMINAL WATTAGE	EQUIVALENCY	INPUT VOLTAGE	DISTRIBUTION	CCT
99918	BP35AUT550BPM0	35W	150W HPS	120-277V	T5	5000K
99921	BP45AUT550BPM0	45W	175W MH/MV			