



Date:	
Type:	
Firm:	
Project:	

**PRODUCT DESCRIPTION**

ThinLine Architectural redefines the troffer. Designed for quick, easy installation featuring a sleek, contemporary, ultra-compact design. You can replace a typical fluorescent troffer using up to 172W with a single ThinLine Architectural that uses only 25W. Field adjustable from 6 - 60W with optional potentiometer. With over 100,000 hour life, ThinLine Architectural fixtures provide high-quality illumination for years to come with zero maintenance costs. Constructed of 98% pure 3105 aluminum with a durable, composite polyester exterior finish. White is standard. No on-site assembly required.

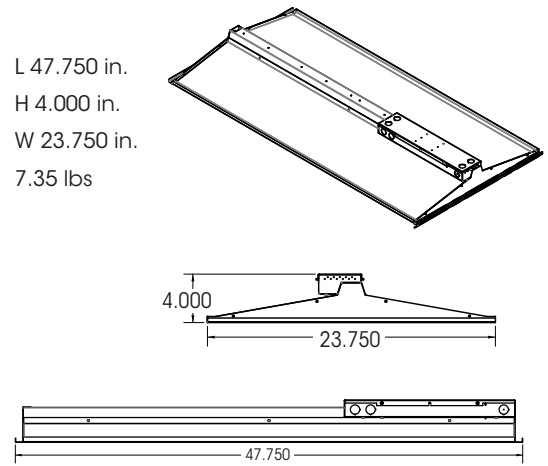
**PERFORMANCE SUMMARY**

- Light Engine:** Osram driver and LED boards
- Color Temp:** 4000K
- CRI:** >82 + R9
- Lumens (nominal):** 2,900 (25W) to 6,500 (60W)
- Input Voltage:** 120-277V
- Optics:** White lens
- Listed:** UL Listed, DLC QPL, IC Rated
- Warranty:** 5-year standard limited
- Type:** 2x4 T-bar ceiling grid
- Power Consumption:** 25W standard. Field adjustable from 6 - 60W with optional potentiometer.
- Manufacturer:** Genesis Energy Technology



**ThinLine Architectural**

Elegant, contemporary form factor that will meet or exceed aesthetic and performance requirements.



**ORDERING INFORMATION**

Determine number\* for placing order.

EXAMPLE: TLA25-UNF2-40MW-HWMSX

Lead times will vary depending on options selected. Consult your sales representative.

STANDARD IN YELLOW	TLA	UN	F2			HW		
	Model	Wattage (nominal)	Voltage	Optics	Color Temp	Fixture Color	Power Supply	Motion Sensor
	TLA: ThinLine Architectural	25: 25W 45: 45W 60: 60W	UN: 120-277V	F2: white lens	40: 4000K 50: 5000K	MW: matte white WH: optical white	HW: hardwire	MSX: no sensor P: potentiometer

\*For additional custom options, call your sales representative for details. Additional charges may apply to non-standard options.. Specifications subject to change without notice.

ThinLine® Architectural LED Troffer Series  
STANDARD SPECIFICATIONS:

One GTT-TL included, attached to fixture.

Tether (GTT-TL)



Hurricane clip (GHC-TL)



Additional GTT-TL and GHC-TL may be purchased separately.



		25	45	60
performance	spec	details		
	color temperature	4000K standard, 5000K optional		
	CRI	>82 + R9		
	lifetime	100,000 hours		
	lumens (nominal)	2900	4400	5500
electrical	power consumption	25W	45W	60W
	input voltage	120-277V		
	power supply	Hardwire		
light engine	optics	White lens		
	driver	Osram		
	LED board	Osram		
physical	dimensions (L"xH"xW")	L 47.750 in. H 4 in. W 23.750 in.		
	weight	7.35 lbs.		
	housing	98% pure 3105 aluminum with durable, composite polyester exterior finish		
	color	White		
application	listed	UL listed, DLC QPL, IC Rated		
	motion	Optional potentiometer 6-60W dimming control, located on back of fixture		
	warranty	5-year standard limited		
	operating temp at 60W	-30° to 40° C -22° to 104° F		
DLC*	DLC model #	TLA25-UNF2-40WH-Pxx TLA25-UNF2-50WH-Pxx	TLA45-UNF2-50WH-Pxx	TLA60-UNF2-50WH-Pxx
	Manufacturer:	Genesis Energy Technology		



\*Not all products are qualified on the DLC QPL. To view our DLC qualified products, please consult the DLC Qualified Products List at [www.designlights.org/search](http://www.designlights.org/search).

